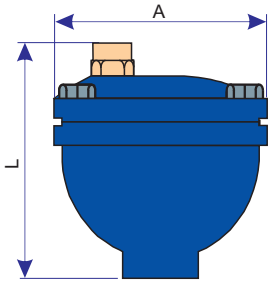
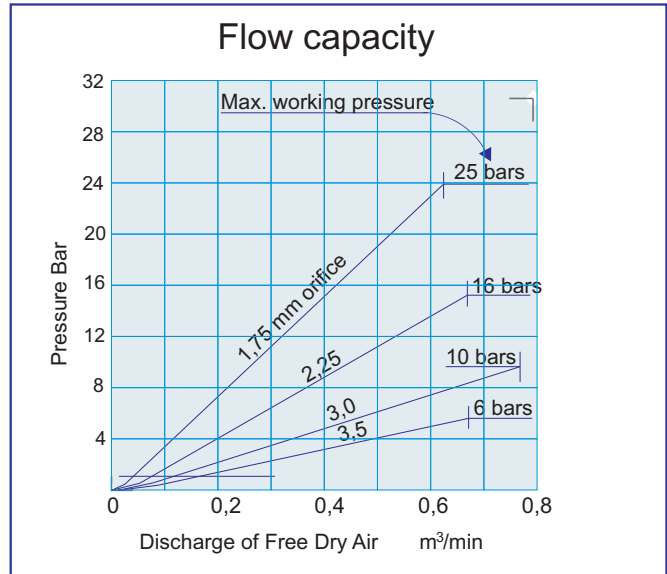
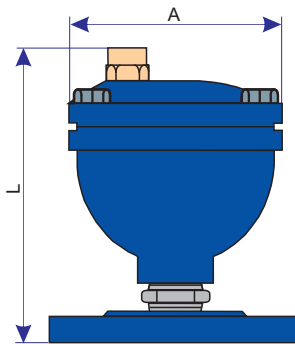


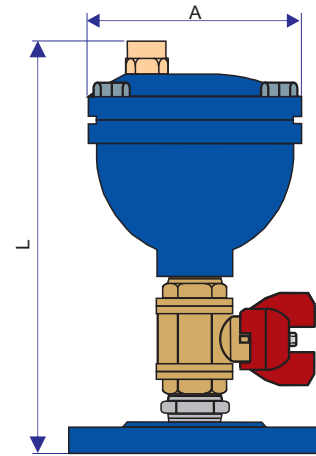
TYPE	A mm	L mm
250	140	155
251	140	200
252	140	260



TYPE 250 (1'')



TYPE 251 (WITH FLANGE)


 TYPE 252
(WITH BALL VALVE 1'' & FLANGE)

POS	DESCRIPTION	MATERIAL
1	BODY	DUCTILE IRON GGG 40
2	COVER	DUCTILE IRON GGG 40
3	FLOAT AND LEVEL	ABS
4	ORIFICE	BRASS
5	SEAT VALVE	NBR
6	ORIFICE COVER	ABS or BRASS
7*	OPERATION CONTROL	BRASS

* Option

DESCRIPTION	NORMS
Flanges	EN 1563 / EN 1092-2
Dimensions	DN 25-32-40-50-60-65-40/65-80-100-125-150-200
Pressure max.	PN 10-16-25-40
Pressure min.	0,5 Bar
Coating	Powder epoxy 250 microns DIN 30677
Testing	EN 1074.04