

## AIR VALVE PURGEUR SONIQUE TYPE SO-11

No	DESCRIPTION	MATERIAL
1	Body	Steel st 37
2	Cylinder	Polyethylene
3	Nozzle	S.S AISI 304
4	Rubber	EPDM
5	Orifice	Brass

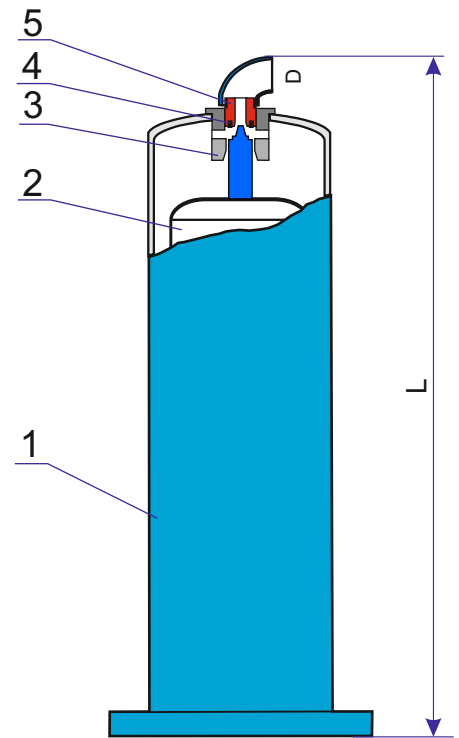


TABLE OF DETERMINATION

DN PIPE	PN 10 Orifice mm	PN 16 Orifice mm	PN 25 Orifice mm
50 - 150	50C / 4	50C / 4	50L / 4
150 - 200	80C / 4	80C / 4	80L / 4
200 - 300	80C / 5	80C / 5	80L / 5
300 - 400	100C / 6	100C / 6	100L / 6
400 - 500	100C / 7	100C / 7	100L / 7
500 - 700	150C / 8	150C / 8	150L / 8
700 - 900	150C / 12	150C / 10	150L / 10
900 - 1200	200C / 16	200C / 14	200L / 14
1200 +	250C / 18	250L / 16	250L / 16

DN	C / L	D
50	650/950	1 ''
80	650/950	1 ''
100	750/1000	1 ''
150	810/1160	1 ''
200	810/1160	1 ''
250	830/1160	1 ''

DESCRIPTION	MATERIAL
Body	Carbon steel
Ring	EPDM - NBR
Coating	Epoxy paint potable RAL 5005