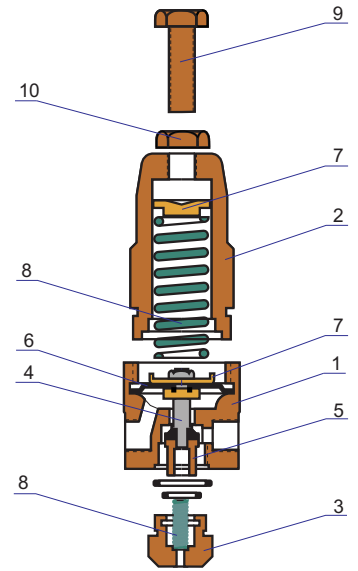


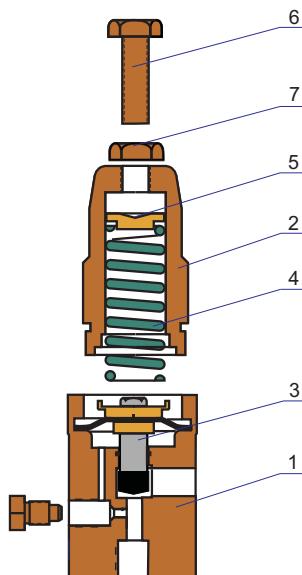
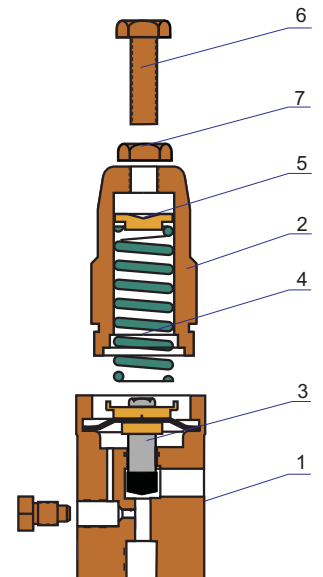
PRESSURE REDUCING PILOT

1	Body	Brass
2	Bonnet	Brass
3	Plug	Brass
4	Stem	Stainless Steel
5	Seat	Brass
6	Membrane	NBR
7	Spring disc	Brass
8	Spring	Steel
9	Regulation bolt	Stainless Steel
10	Nut	Stainless Steel



PRESSURE SUSTAINING PILOT

1	Body	Brass
2	Bonnet	Brass
3	Valve	Brass & inox & rubber NBR
4	Spring	Steel
5	Spring disc	Brass
6	Regulation bolt	Stainless Steel
7	Nut	Stainless Steel



QUICK RELIEF PILOT

1	Body	Brass
2	Bonnet	Brass
3	Valve	Brass & inox & rubber NBR
4	Spring	Steel
5	Spring disc	Brass
6	Regulation bolt	Stainless Steel
7	Nut	Stainless Steel