

# EVDOS S.A

EVDOS MECHANICAL CONSTRUCTIONS S.A

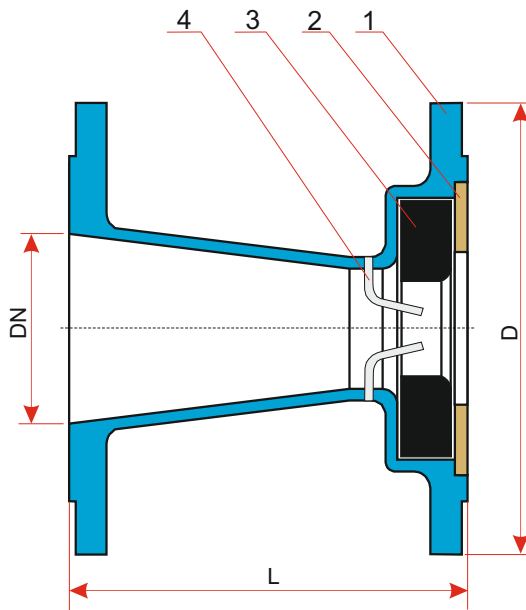


## FLANGED FLOW LIMITERS



3 MILI STR . EFKARPIA 56429 THESSALONIKI GREECE  
TEL: 0030-2310-681335 , 681134 FAX: 0030-2310-681133  
e-mail : [info@evdos.gr](mailto:info@evdos.gr)

[www.evdos.gr](http://www.evdos.gr)



Flow limiter reduces the flow rate regardless of flow and pressure fluctuations. Rubber and seat secure a progressively distortion so as to change the flow rate in compliance with network's dynamic pressure.

TYPE FF Flanged for pressure till 5 Bar

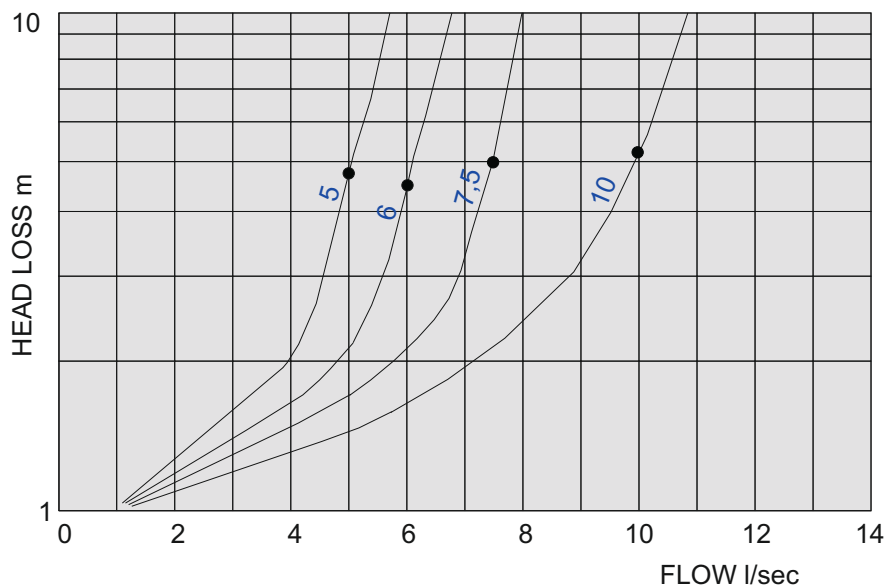
TYPE FHF Flanged (with hooks) for pressure 10 Bar

Flow's error 0 till + 20 %

No	DESCRIPTION	MATERIAL
1	BODY	D.I GGG 40 or STEEL
2	COVER	St 37
3	RUBBER	NBR
4	HOOKS	SS 303

#### DIMENSIONS & WEIGHTS

DN mm	50	65	80	100	125	150	200	250	300	350	400	500
D mm	165	185	200	220	250	285	340	395	445	505	565	670
L mm	130	130	145	145	200	250	250	250	250	250	250	250
W Kg	6	7,5	10	14	20	23	32	41	65	75	110	145



#### DESCRIPTION

Flanges

Body

Pressure max.

Coating

#### NORMES

EN 1092-2 / EN 1092-1

EN 1563 / EN 10025

PN 10-16

Powder epoxy 250 microns DIN 30677